

**SODRON****Laser Scanning Sensor**

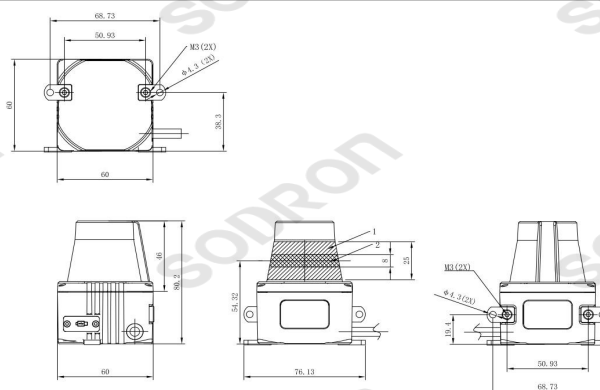
CE

**Model**

SL03

**Product Features**

Industrial-grade high-precision positioning  
LiDAR  
Compact, lightweight, and high-performance

**Wiring Method****Dimension****Technical Parameters**

Ranging Principle	dToF		
Laser Wavelength	940nm		
Horizontal Field of View	270°		
Detection Distance	SL03-15E ≥15m@70% ≥10m@10%	SL03-25E ≥25m@70% ≥15m@10%	SL03-40E ≥40m@70% ≥20m@10%
Scanning Frequency	10Hz; 20Hz	10Hz; 20Hz; 25Hz; 30Hz	
Data Sampling Rate	18kHz(10Hz) 14.4kHz(20Hz)	36kHz(10Hz), 28.8kHz(20Hz) 36kHz(25Hz), 43.2kHz(30Hz)	
Horizontal Angular Resolution	0.2°(10Hz) 0.5° (20Hz)	0.1°(10Hz) 0.25° (20Hz, 25Hz, 30Hz)	
Ranging Accuracy	±2cm		
Data Output Format	UDP/USB		
Data Transmission Mode	UDP/IP(100M Ethernet)		
Time Source	Internal timestamp		
Data Output	Distance, angle, echo intensity, time		
Laser Class	Class1 Eye Safety		
Overall Dimensions	Length 60mm, Width 60mm, Height 80mm		
Protection Structure	IEC IP67		
Operating Voltage	9~36V		
Power Consumption	≤2W		
Operating Temperature	-25°C~60°C		
Storage Temperature	-40°C~75°C		